

LFMC-RS422 RS422/RS485 FMC

RS422/RS485 FMC on SCSI 68 connector



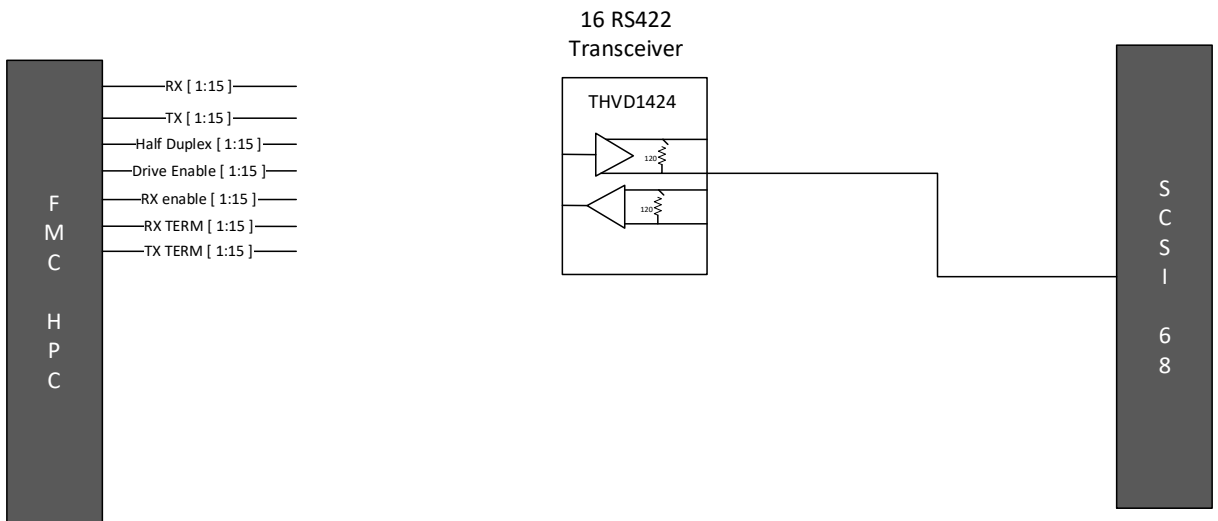
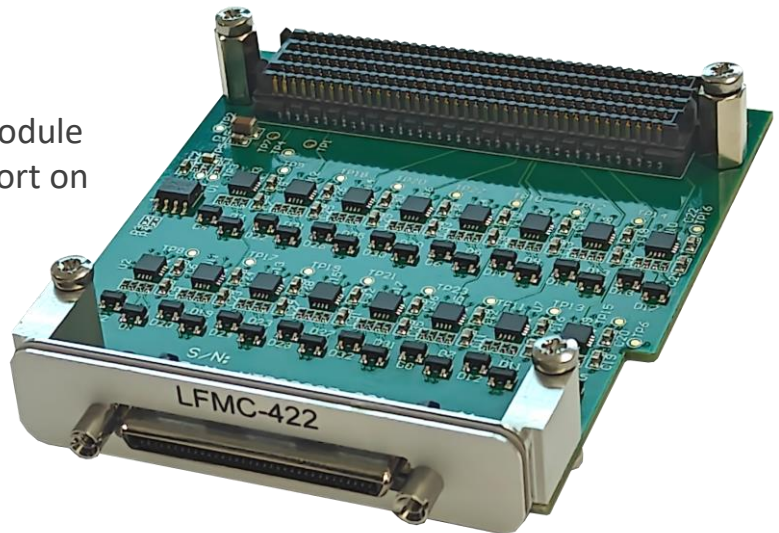
Key Features

LFMC-RS422 is an HPC FMC module with RS422 input output support on high density SCSI-68 VHDCI connector

FMC Module

Ideal platform for:

- ▶ Parallel bus handling
- ▶ I/O



Specification

Characteristics

- ▶ FMC HPC module
- ▶ 16 RS422 bidirectional buffers
 - Half or full duplex
 - RX and TX termination configurable
 - Up to 20 Mbps
- ▶ 1.8V compatible

Environmental

- ▶ Commercial operating temperatures (N-grade): 0°C to +55°C, air cooled
- ▶ Extended operating temperatures (E-grade): -25°C to +70°C, air cooled
- ▶ Extended operating temperatures (K-grade): -40°C to +85°C, air cooled

Power consumption

- ▶ user FW dependent

Mechanical

- ▶ Standard single slot FMC

Firmware (available through the LVD FPGA FDK – to be ordered separately)

- ▶ PCIe
- ▶ 4 channel DMA
- ▶ Example design
- ▶ Full source code

Software (available through the LVD FPGA SDK – to be ordered separately)

- ▶ Full source code



Ordering information

Variant	Grade
LFMC-RS422	N-grade
LFMC-RS422-E	E-grade
LFMC-RS422-K	K-grade

Related products

LVPX-X102- <i>abcd</i>	3U VPX FMC carrier
LVD-FDK/X102-00	LVPX-X102 firmware development kit
LVD-SDK/X102-00	LVPX-X102 software development kit

Please contact directly LVD Systems for any other information needed for this product

