

# LVPX-X102 FMC carrier



3U VPX FMC Carrier



## Key Features

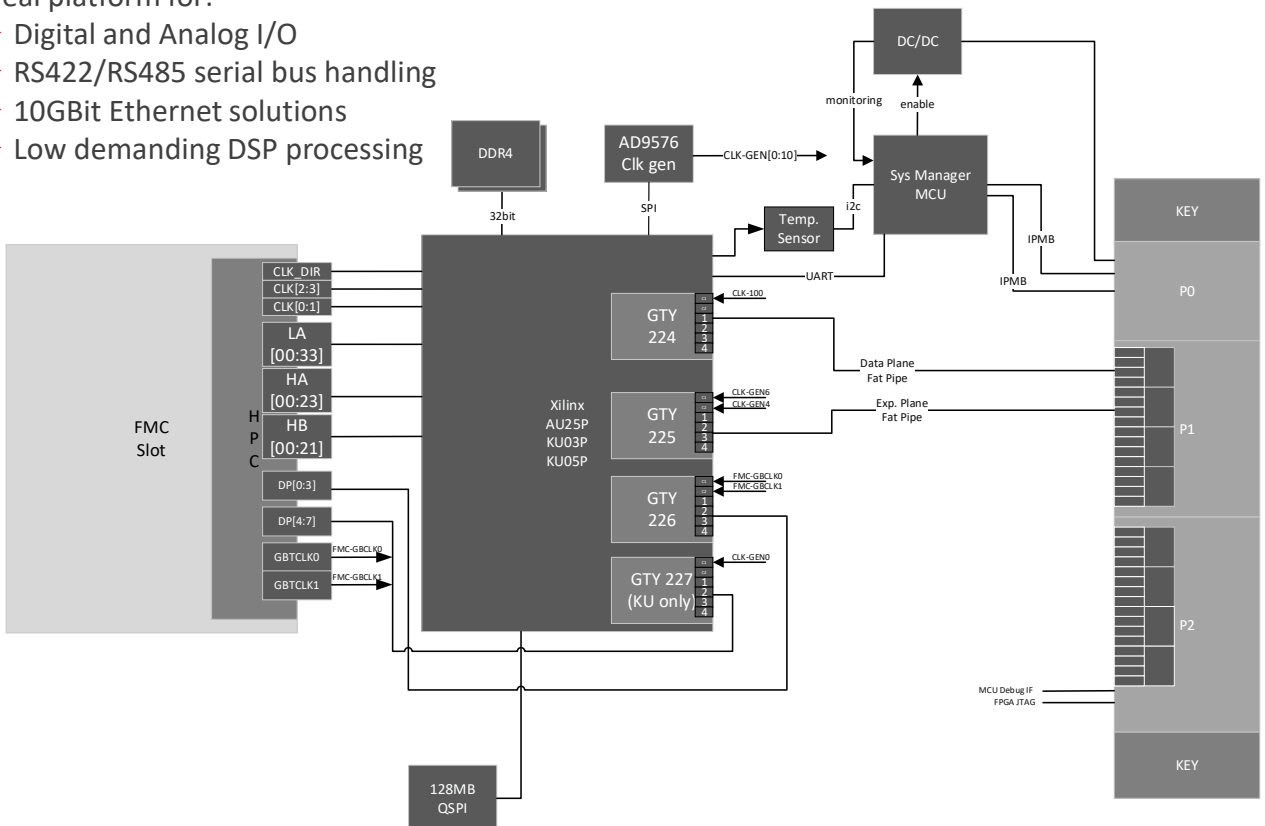
LVPX-X102 is a Xilinx Ultrascale Plus (Artix or Kintex) FMC carrier for a wide variety of I/O and high speed serial communication purpose on the VPX systems.



## 3U, 4 or 5 HP width FMC Carrier

Ideal platform for:

- ▶ Digital and Analog I/O
- ▶ RS422/RS485 serial bus handling
- ▶ 10Gbit Ethernet solutions
- ▶ Low demanding DSP processing



# Specification

## Characteristics

- ▶ 3U VPX FMC carrier
- ▶ FPGAs
  - XCAU25P
  - XCKU3P
  - XCKU5P
- ▶ 2GB 32bit DDR4 memory
- ▶ AD9576 Programmable clock generator
- ▶ FMC HPC slot

## Environmental

- ▶ Commercial operating temperature (N-grade): 0°C to +55°C, air cooled
- ▶ Extended operating temperature (E-grade): -25°C to +70°C, air cooled
- ▶ Industrial operating temperature (K-grade): -40°C to +70°C, air cooled

## Power consumption

- ▶ 5 - 15 W (user FW dependent, excluding I/O)

## Mechanical

- ▶ 3U form-factor: 3.9 inches x 6.3 inches (100 mm x 160 mm)

## Firmware (available through the LVD FPGA FDK – to be ordered separately)

- ▶ PCIe
- ▶ 4 channel DMA
- ▶ Example design
- ▶ Full source code

## Software (available through the LVD FPGA SDK – to be ordered separately)

- ▶ Linux driver
- ▶ Full source code



# Ordering information

Variant	FPGA
LVPX-X102-AU25	XCAU25P-1SFVB784
LVPX-X102-KU3P	XCKU3P-1SFVB784
LVPX-X102-KU5P	XCKU5P-1SFVB784

Variant	Grade
LVPX-X102-abcd	N-grade
LVPX-X102-abcd-E	E-grade
LVPX-X102-abcd-K	K-grade

## Related products

LVD-FDK/X102-xy	LVPX-X102 firmware development kit
LVD-SDK/X102-xy	LVPX-X102 software development kit

Please contact directly LVD Systems for any other information needed for this product

