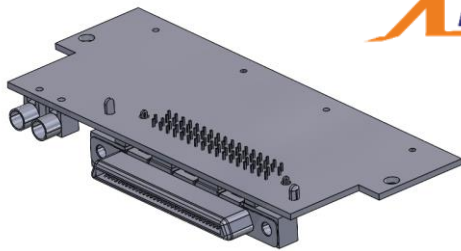
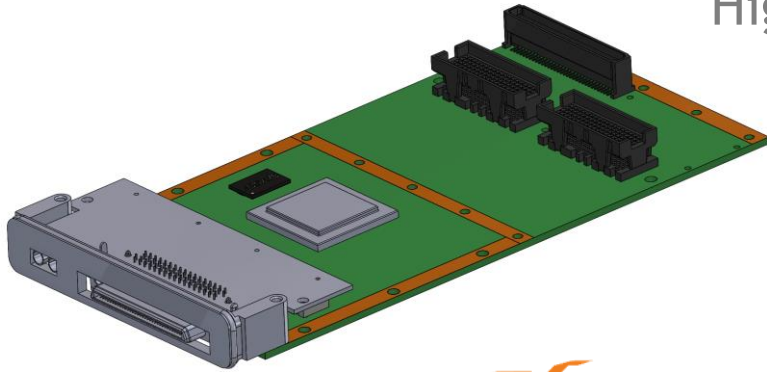




LXMC-IO-HVIO

High Voltage I/O Module



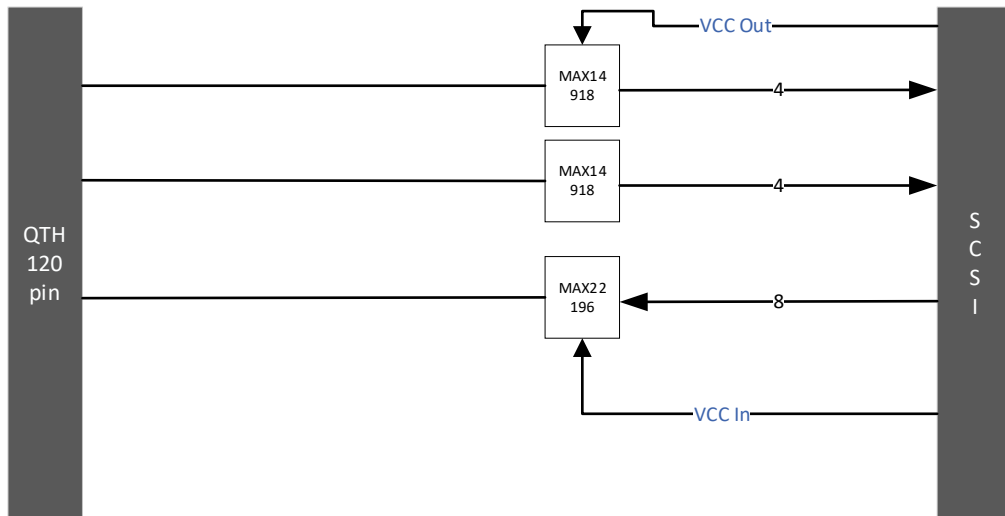
Key Features

LXMC-IO-HVIO is an 8 channel low side output and 8 channel input module.

I/O Module for LXMC-X101

Provides:

- ▶ 8 Channel output 7V to 48V low side output
- ▶ 8 Channel input 24V Type 1



Specification

Characteristics

- ▶ I/O Module for LXMC-X101
- ▶ Output based on dual MAX14918
 - Up to 65V external VCC
 - Low side
- ▶ Input based on single MAX22196
 - Up to 36V external VCC
 - Type I input

Environmental

- ▶ Commercial operating temperature (N-grade): 0°C to +55°C, air cooled
- ▶ Extended operating temperature (E-grade): -25°C to +70°C, air cooled
- ▶ Industrial operating temperature (K-grade): -40°C to +70°C, air cooled

Mechanical

- ▶ LXMC-IO form factor

Firmware (available through the LVD FPGA FDK – to be ordered separately)

- ▶ PCIe end-point
- ▶ 4 channel DMA engine
- ▶ Example design
- ▶ Full source code

Software (available through the LVD FPGA SDK – to be ordered separately)

- ▶ Linux driver
- ▶ RTX driver (available on demand)
- ▶ Full source code

Certification

- ▶ REACH / RoHS compliant

Ordering information

Base Part Number: LXMC-IO-HVIO-t

Variant	Grade
LXMC-IO-HVIO	N-grade
LXMC-IO-HVIO-E	E-grade
LXMC-IO-HVIO-K	K-grade

Popular Example: LXMC-IO-HVIO
commercial grade module

Related products

LXMC-X101	LXMC FPGA Board
-----------	-----------------

Please contact directly LVD Systems for any other information needed for this product



LVD Systems s.r.l.
Corso Susa, 299/A - 10098 Rivoli (TO) Italy
Tel: +39-011-9661319
www.lvdsystems.eu

Revision 1.0
Date 25/02/2025